

Data Sheet

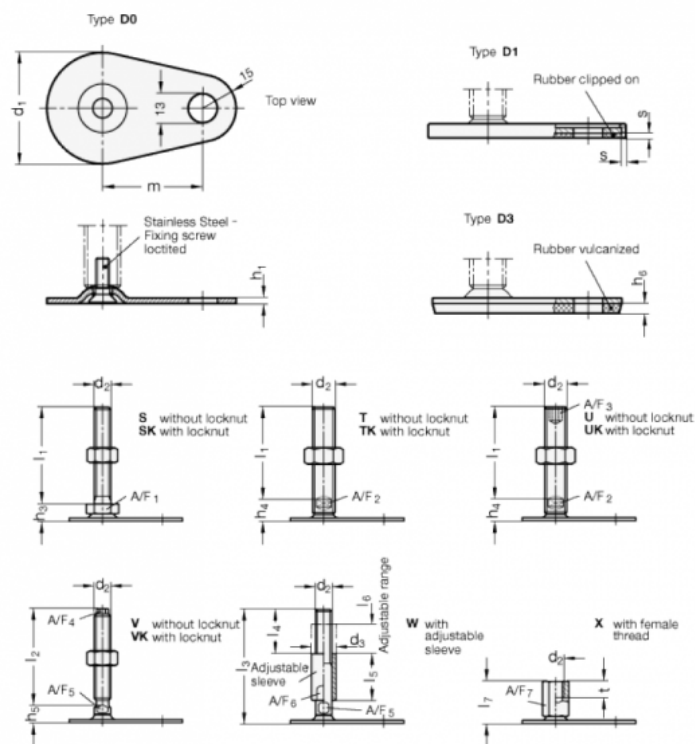


Article number: 204360M1260D1S

Description: E+G levelling foot
GN 43-60-M12-60-D1-S

Note: S Without nut, External hexagon at the bottom

Measures



A/F1 = 17	s = 2
d1 = 60	
d2 = M12	
h1 = 2.5	
h3 = 11	
h6 =	
l1 = 60	
m = 50	